

LK910

24



: 100 ~ 120 / 200 ~ 240
 : 24
 : 120
 1 + 1
 /

LK910

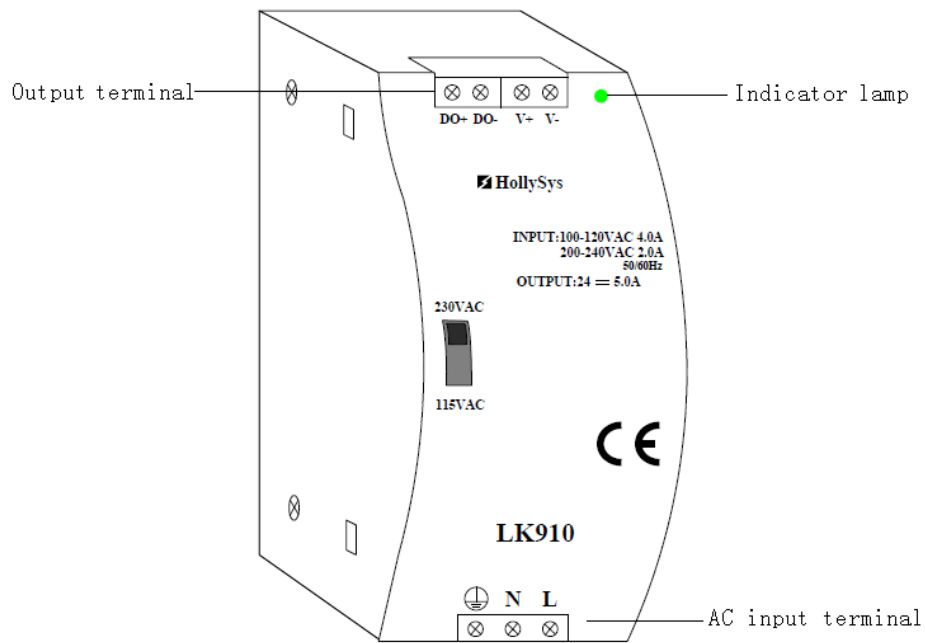
110

/ 220

24

120 . LK910

LK910



1-1 LK910

LK910 - 110

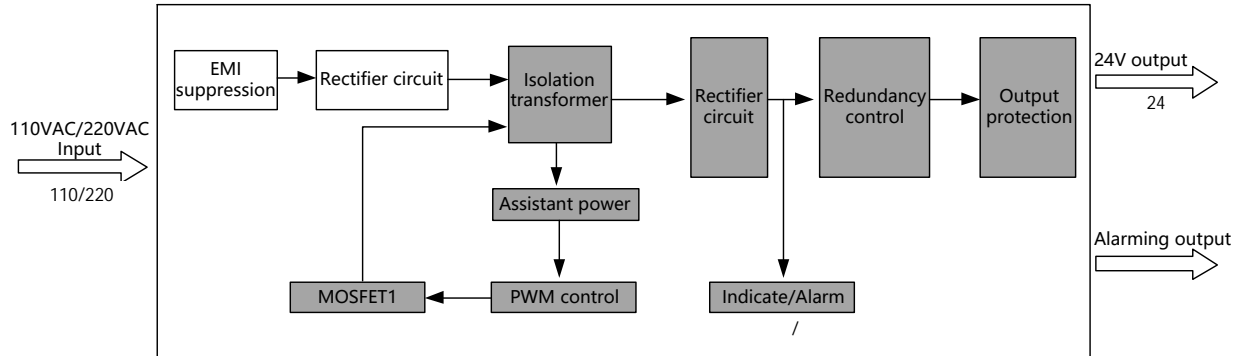
220

24

LK910

24

"DO+", "DO-".



1-2

LK910

LK910	24			
	100	~ 240		
	47	~63		
	24	±5%		
	5 A			
	120			
()	<240			
	<±5%			
	<±2%			
	<±5%	20%	70%,	<50
	>80%			
	220	70%,	30	95%

1+1

LK910	24
	105% ~150%,
	120% ~ 140%
	: 500 , >100 : 500 , >100 : 500 , >100
	: 1500 Vrms, 1 ,, <10 : 3000 Vrms, 1 ,, <10 : 500 Vrms, 1 ,, <20
	..-10° ~ 60° , 60°
	-20°C~80°C
	5%~95%,
(* *)	65,5 125.2 100
	UL508,TUVEN60950, CE
EMC	EN55022/EN55011classB
	EN61000-4-2/3/4/5/6/8/11
	EN61000-3-2/3
	EN61000-6-2
	ENV50204