

# LK240

LK240 -

LK130

- 
- 
- 
- 
- 

/

2-



1-1

LK240

1-1,

LK240

:

- 10
- 1 DIP-
- 

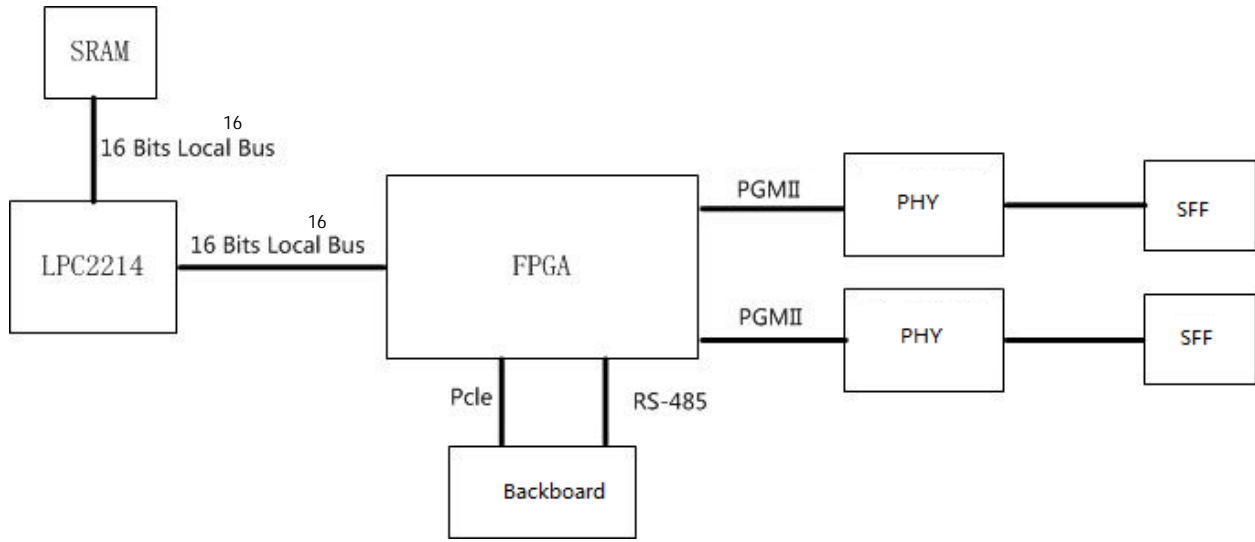
LK240

A/B

PWR		-		
RUN		-	/	
ERR		-		
RDNT		-	/	
STDB		-		
A/B	A/B	-		A
TX1	1	-		1
RX1	1	-		1
TX2	2	-		2
RX2	2	-		2

- : 1
- : 4

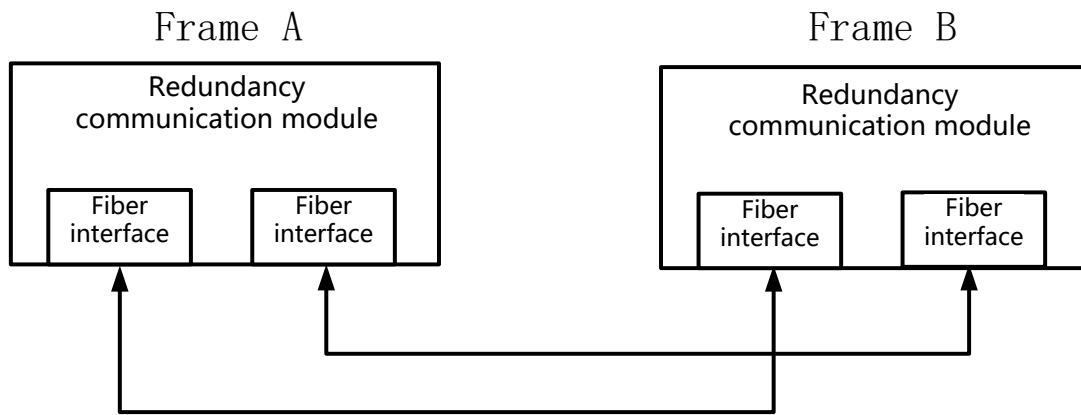
PCIE      FPGA      Ethernet



1-2 - LK240

LK240

10



1-3

LK240

LK240	
	LPC2214
(FPGA)	EP4CGX75CF23I7N
SRAM	, 512 , 32
	2
	LC
PCI	
	PCIE (1.0), 2,5 /
	1- X1
	IP20
	24 ( -15 +20%)
( .)	250 24
	- 130
	≤10
( * * )	44,7 *166 *152
	0°C ~60°C
	-40~70°C
	10%~95%,
	10%~95%,
	2000 (IEC_11631-2-2007 P30)
	3000 (
	70 ) (IEC_11631-2-2007)