

LK249

LK249 -

LK

2  
 HollySys Profibus-DP.  
 DB9,  
 124  
 CPCI.  
 LK130

- 
- 
- 

Profibus-DP

DB9



1-1

LK249

1-1,

LK249

:

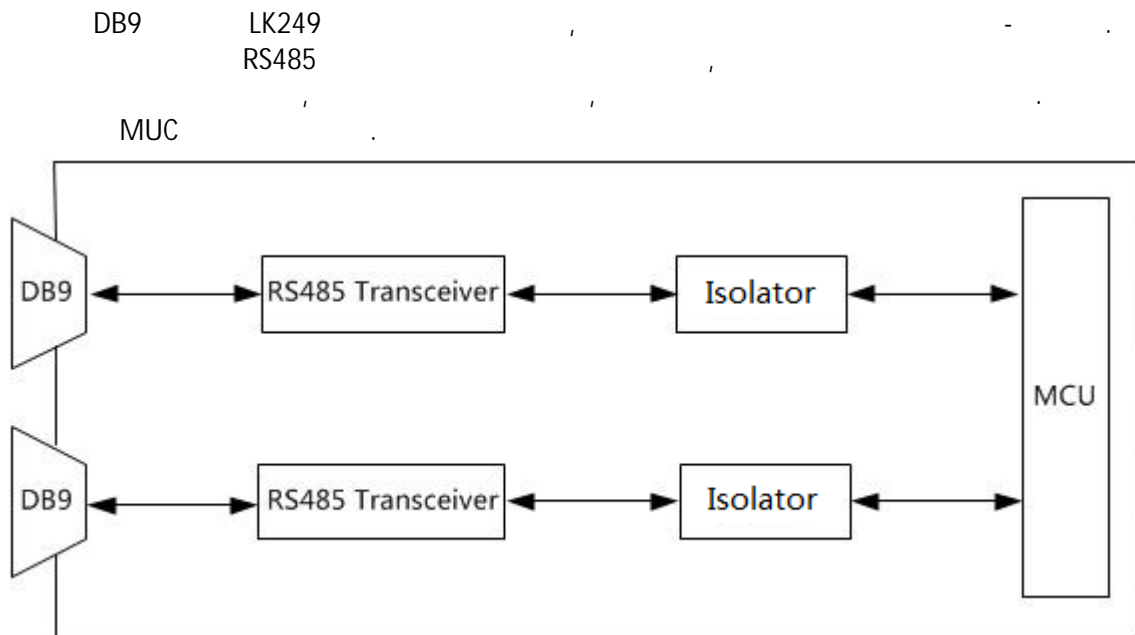
- 5
- 

LK249

DB9.

PWR					
RUN					
ERR					
DP1	/	DP 1	-	-	1 / DP
			/	/	DP 1
DP2	/	DP 2	-	-	DP 2
			/	/	DP 2

- : 1
- : 4



1-2

LK249

LK249	
	LPC2214
(FPGA)	EP4CGX30CF23I7N
SRAM	, 512 , 32
DP ( )	
	2
	1 DB9
	187,5 / , 500 / , 1,5 /
PCIE	
	PCIE(1.0)
	1- X1
	2,5 /
	IP20
	24 ( -15 +20%)
( .)	200 24
	DP ( )
	≤10
	RS485: 500 , 1 , 5
	10 ( : +25 ±2 , : 30%±5%, )

LK249	
( * * )	44,7 *166 *152
	0°C~60°C
	-40~70°C
	10%~95%, <sup>1</sup>
	10%~95%,