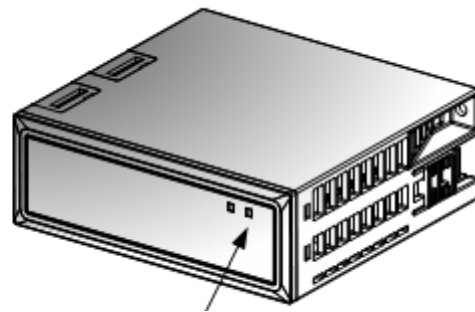
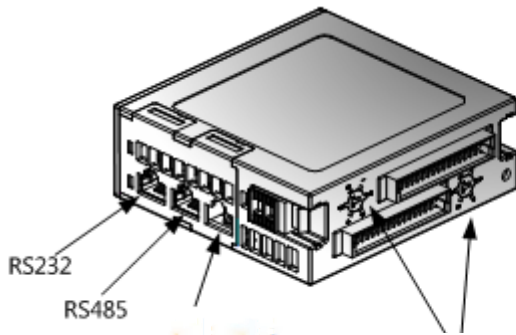


MODBUS / LK239

-
-
-
-
-

Profibus-DP ()
 MODBUS /
 LK /

MODBUS



1-1

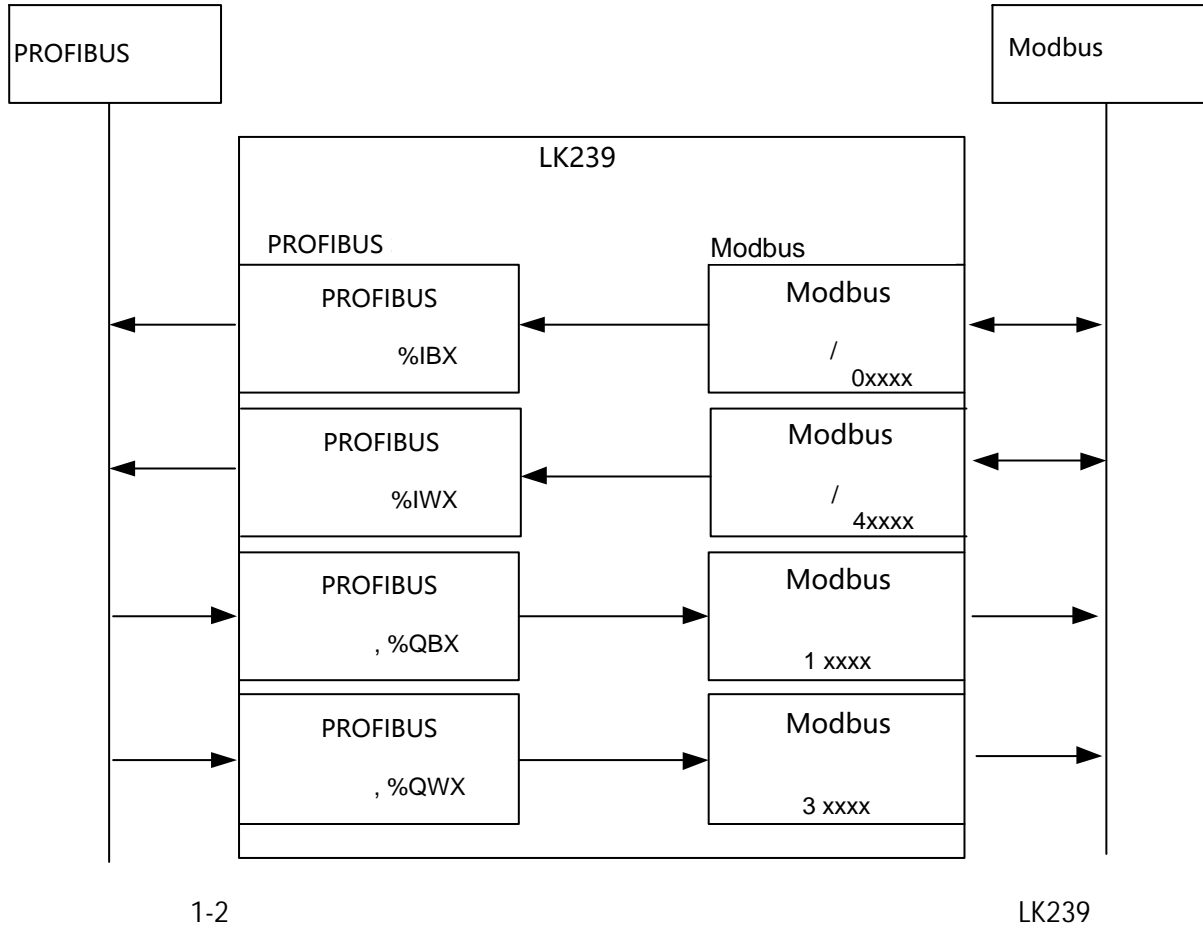
LK239

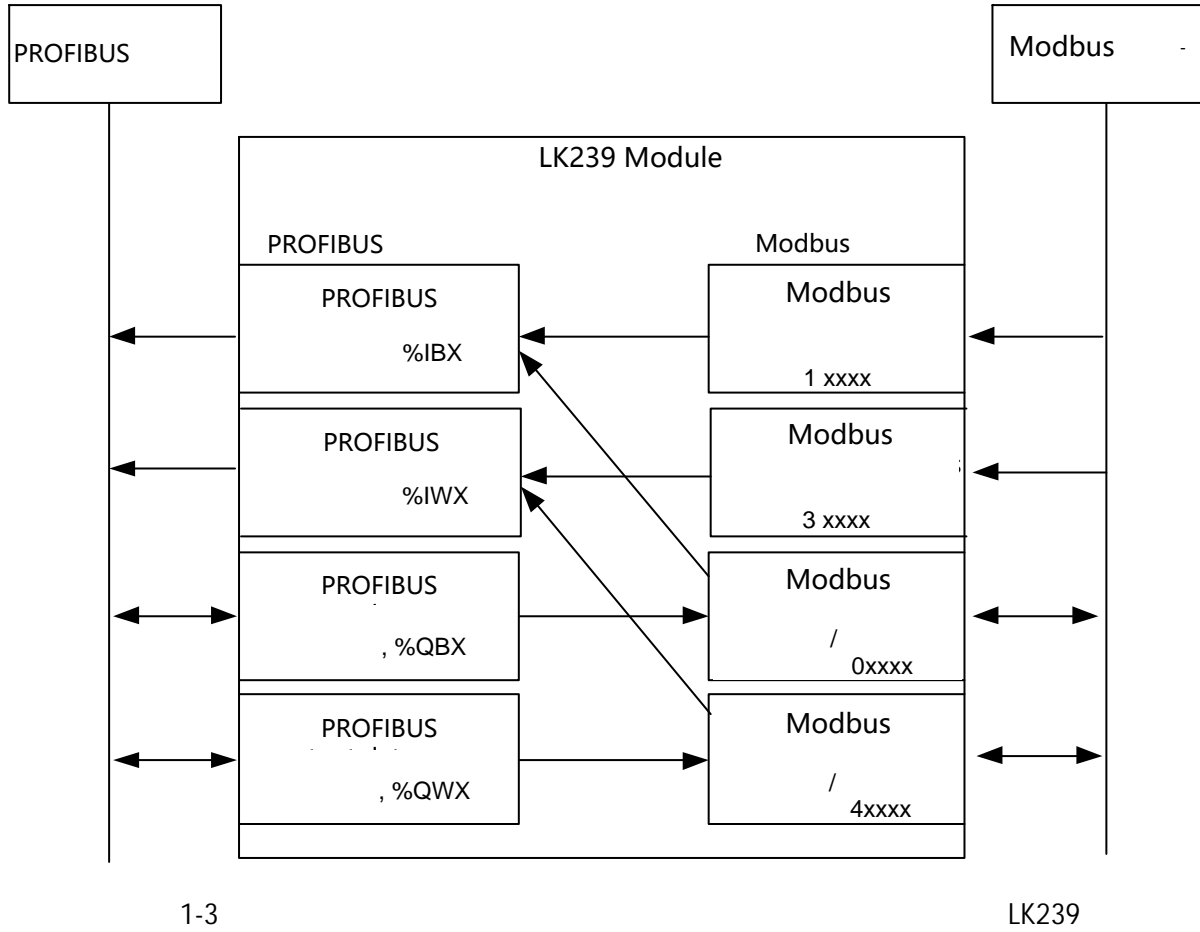
LK239 - Profibus-DP MODBUS /
 MODBUS LK. MODBUS,
 LK239 Profibus-DP LK,
 DP () DP.
 LM239 MODBUS MODBUS
 MODBUS 01, 02, 03, 04, 05, 06, 15, 16.
 244 MODBUS LK239
 MODBUS, MODBUS
 () 244 28



• LK239
 M,

LK239 - MODBUS LK. MODBUS
DIP- MODBUS 6-30. : 20
MODBUS
Time of Replay ().
RS485 RS232 ()
115,2 /) RTU. MODBUS
LK239 Profibus-DP MODBUS
MODBUS Profibus-DP.
Profibus-DP () LK239
Profibus-DP. MODBUS, LK239
Profibus-DP MODBUS.
Profibus-DP
MODBUS. Profibus-DP





LK239		MODBUS		/	
	20,4 ~28,8				
	80		24		
	DP ()				
		Profibus-DP			
	9,6 / , 19,2 / , 45,45 / , 93,75 / , 187,5 / , 500 / , 1,5 /				
MODBUS					
	MODBUS -				
	RTU				
	RS485 (RJ45),		RS232 (RJ-45),		

LK239		MODBUS	/
		01, 02, 03, 04, 05, 06, 15, 16 ()	
		28	
/		244	
		1200 / , 2400 / , 4800 / , 9600 / , 19200 / , 38400 / , 57600 / , 115200 / ()	
		() , ,	
-		()	
		500	1 , : 5
	RUN ()		Profibus-DP
	COM ()		MODBUS
		-	LK
		F1	
		= 35 100 100	
		180	
		0°C~60°C	
		5%~95%,	
		-40°C~70°C	
		5%~95%,	