

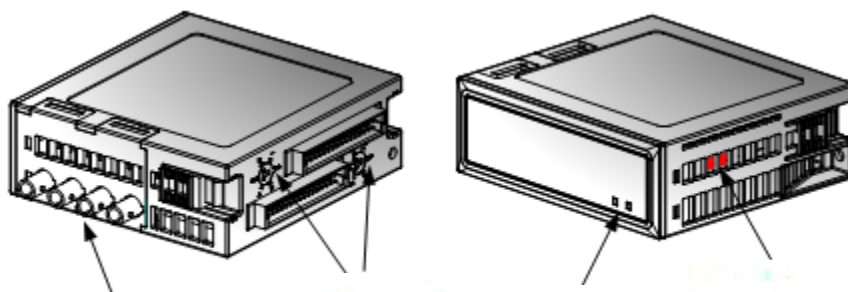
LK233

Profibus-DP

-
-
-
-
-
-

Profibus-DP

(6,25/150 50/150), ST



ST

1-1

LK233

LK233 -

Profibus-DP.

DP ()

LK233

DP

(),

LK233

LK233

5.

LK231 (

LK232)
LK233.

LK233

LK233

LK233

LK233

LK233

LK233

LK233

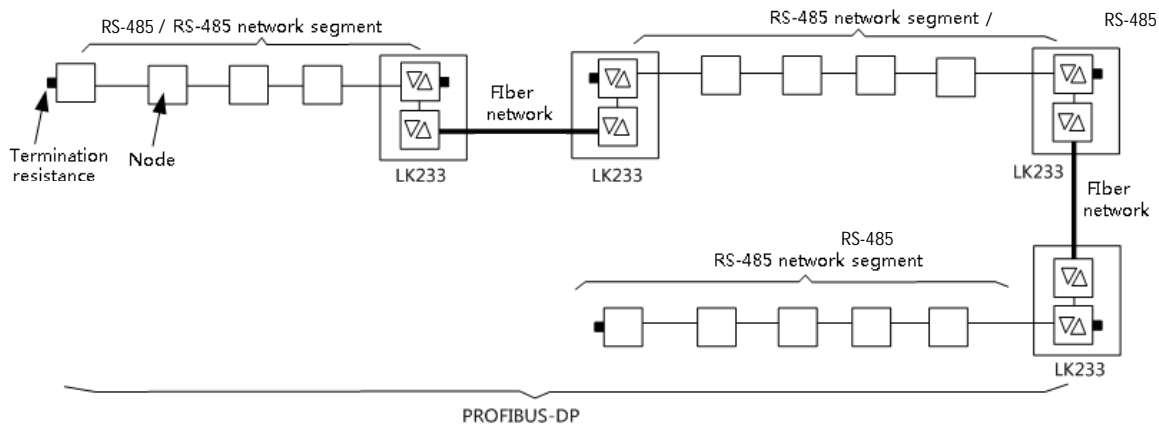
233

LK233

Profibus-DP
6-24.

RS-485,

) DIP- (LK233.)
 233 4- 4 (8) 5
 LK233, 4x5 =20 .
 LK233



1-2

1-3, LK232

DP ()

DP ().

DP ()

DP

DP ()

DP

DIP-

J5

Profibus-DP LK233	
	1,2 2 LK233)
	Profibus-DP
	9,6 / , 19,2 / , 31,25 / , 45,45 / , 93,75 / , 187.5 / , 500 / , 1,5 /
	4 ST
RUN	- ,
COM	- , -
	LK
	A5
	× × = 35 × 100 × 100
	0°C~60°C
	5%~95%,
	-40°C~70°C